

APP No. 360210

NTools SKB15 - Precise Edge Clamps for Bodywork and Metalworking.

A professional tool designed for the quick installation and removal of NTools ZKB14 bodywork and metalworking clamps.

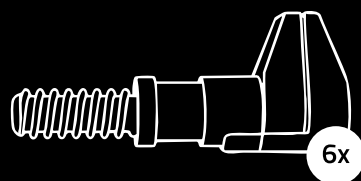
Thanks to its specially designed jaws, the pliers easily open the spring clamp, allowing it to be positioned quickly and accurately on the joined components. This complete solution eliminates the need for power tools, wrenches, or other types of pliers.

**APP No. 360215**

NTools ZKB14 - Precision Edge Clamps for Bodywork and Metalworking Applications.

Compact, reusable clamps designed for stable and secure joining of material edges. They are ideal for welding, spot welding, riveting, bonding, and sealing automotive body panels. Thanks to their versatility, they can be used not only in body repair shops, but also in metalworking workshops and woodworking facilities.

ZKB14 clamps are significantly smaller and more convenient than traditional heavy-duty woodworking clamps or welding clamps, allowing comfortable operation even in hard-to-reach areas.



APP Sp. z o.o.

ul. Przemysłowa 10, 62-300 Września
Customer Service Department:
Phone +48 61 437 00 20, bok@app.com.pl

www.APP.com.pl

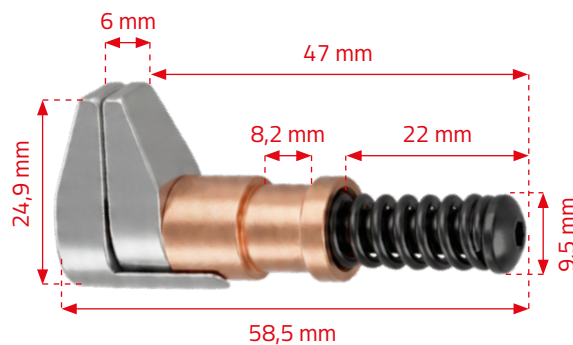


29.05.2026

Technical Data:

SKB15

Maximum jaw opening	0-40 mm
Overall length	185 mm
Weight	287 g



ZKB14

Height with spring	58,5 mm
Jaw depth	15 mm
Jaw opening	0 - 15 mm
Max thickness of joined materials	12,5 mm
Weight	44 g
Clamping force	236 N (24 kg)

ADVANTAGES

+ **VERY FAST METHOD OF JOINING SHEET METAL AND OTHER MATERIALS**

compared with the use of locking pliers („Vise-Grip” type), metalworking clamps, or woodworking clamps.

+ **CLAMPING FORCE OF 236 NEWTONS**

equivalent to approximately 24 kg of holding force per clamp, ensuring secure positioning of joined components.

+ **OUR REUSABLE QUICK CLAMPS HELP SAVE TIME AND LABOR COSTS**

APP No.	Product Name	Quantity
360210	NTools SKB15 - Pliers for Bodywork and Metalworking Clamps	1 pc.
360215	NTools ZKB14 - Precise Edge Clamps for Bodywork and Metalworking	1 pc.